

225 K series

x225x80mm



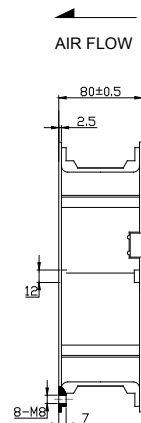
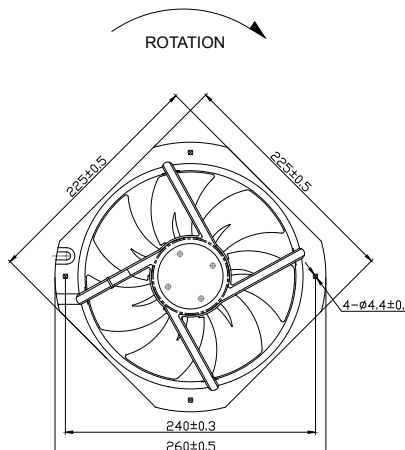
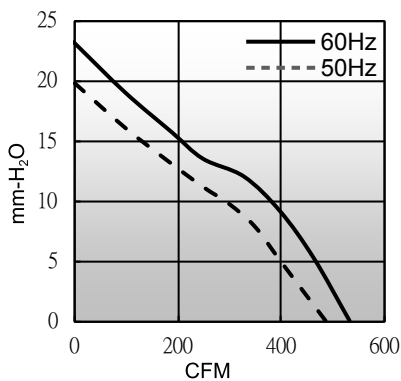
General Specifications

- Motor : Singal phase induction capacitor motor
- Frame & Impller : Metal
- Storage temperature : -40°C to +75°C
- Operating temperature : -10°C to +70°C

Major Characteristic Parameters

Model	Bearing System	Rated Voltage	Freq.	Power Input	Rated Speed	Maximum Air Flow	Maximum Static Pressure	Sound Level	Weight		
Part NO.	B / S	V	Hz	W	RPM	m ³ /min	CFM	mm-H ₂ O	In-H ₂ O	dBA	Kg
K0060B11	B	110	50/60	80	2550/2800	19.8/23.2	48/6/534	19.8/23.2	1.09/1.28	58/61	2.2
K0060B11	B	230	50/60	65	2550/2800	19.8/23.2	48/6/534	19.8/23.2	1.09/1.28	58/61	2.2

*Bearing system B: Two Ball Bearing F: Fluid Bearing S: Sleeve Bearing



unit:mm